


RICOH Modification Bulletin

Model: PRIPORT GOLD		Date: 30-Jun-97	No: 01
Modified Article: Parts Catalog		Prepared by: 	
From: Priport Service Planning Section		H. Kokubo	
Classification: <input checked="" type="checkbox"/> Parts catalog correction <input type="checkbox"/> Vendor change <input type="checkbox"/> To meet standards <input type="checkbox"/> To facilitate assembly <input type="checkbox"/> To improve reliability () <input type="checkbox"/> Part standardization <input type="checkbox"/> Other ()			
Model Name: Ricoh VT2250/VT2240, Gestetner 5329(L), RexRotary 1254(L), nashuatec CP329(L), ABDICK 6560, SVN 3250DNP			

Please correct your parts catalog as follows:

1. PART LIST CORRECTION

Change Description and Part Number

P.	Idx		Part No.	Description	Q'ty
29	19	Current	C223 2229	Feed Cam Gear	1→0
		New	C201 2229	Gear - 50T	0→1

Change Description and Part Number

P.	Idx		Part No.	Description	Q'ty
31	12	Current	C207 5231	Gear - 2nd Feed Roller	1→0
		New	C209 5200	Gear - 14Z	0→1

Change Part Number

P.	Idx		Part No.	Description	Q'ty
31	18	Current	C224 5230	Lower Feed Roller	1→0
		New	C219 5005	As above	0→1

Change Description and Part Number

P.	Idx		Part No.	Description	Q'ty
67	1	Current	C213 2218	Stud & Gear - 30T	1→0
		New	C226 2330	Drum Drive Gear Assy	0→1

Model: PRIPORT GOLD	Date: 30-Jun-97	No: 01
----------------------------	------------------------	---------------

Change Part Number

P.	Idx		Part No.	Description	Q'ty
67	5	Current	C200 2308	Image Shifting Arm - Small	1→0
		New	C223 2311	As above	0→1

Change Description and Part Number

P.	Idx		Part No.	Description	Q'ty
67	7	Current	C223 2217	Gear Shaft	1→0
		New	C201 2217	Gear - 50T	0→1

Change Part Number

P.	Idx		Part No.	Description	Q'ty
67	22	Current	C219 2226	Gear - 22Z	1→0
		New	C223 2226	As above	0→1

Change Part Number

P.	Idx		Part No.	Description	Q'ty
67	23	Current	C224 2302	Image Shifting Arm - Large	1→0
		New	C223 2302	As above	0→1

Change Description

P.	Idx		Part No.	Description	Q'ty
87	19	Current	C226 8607	Operating Instructions - LT	1→0
		New	As above	Operating Instructions - LT (Ricoh)	0→1

Model: PRIPORT GOLD	Date: 30-Jun-97	No: 01
----------------------------	------------------------	---------------

Change Description

P.	Idx		Part No.	Description	Q'ty
87	19	Current	C226 8650	Operating Instructions - English LT	1→0
		New	As above	Operating Instructions - LT (SVN)	0→1

Change Description

P.	Idx		Part No.	Description	Q'ty
87	19	Current	C226 8690	Operating Instructions - English A4	1→0
		New	As above	Operating Instructions - English (NRG EU)	0→1

Change Description

P.	Idx		Part No.	Description	Q'ty
87	19	Current	C226 8698	Operating Instructions - Eng Asia	1→0
		New	As above	Operating Instructions - English (NRG Asia)	0→1

Add to list

P.	Idx		Part No.	Description	Q'ty
87	19	New	C226 8608	Operating Instructions - A4 (Ricoh)	0→1

Add to list

P.	Idx		Part No.	Description	Q'ty
87	19	New	C226 8697	Operating Instructions - LT (NRG)	0→1

Add to list

P.	Idx		Part No.	Description	Q'ty
87	19	New	C226 8647	Operating Instructions - LT (ABD)	0→1

Model: PRIPORT GOLD

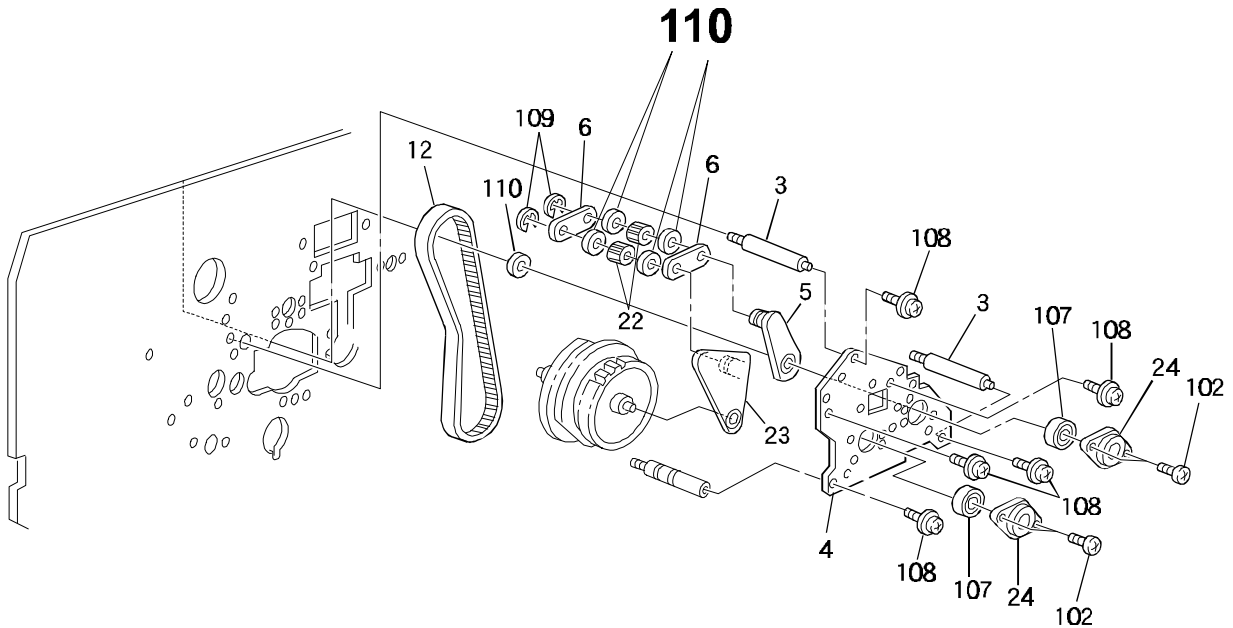
Date: 30-Jun-97

No: 01

2. DRAWING CORRECTION 1

30. DRIVE SECTION 1 (C226), PAGE 66

Add index number 110 (four washers) as shown below:



Model: PRIPORT GOLD

Date: 30-Jun-97

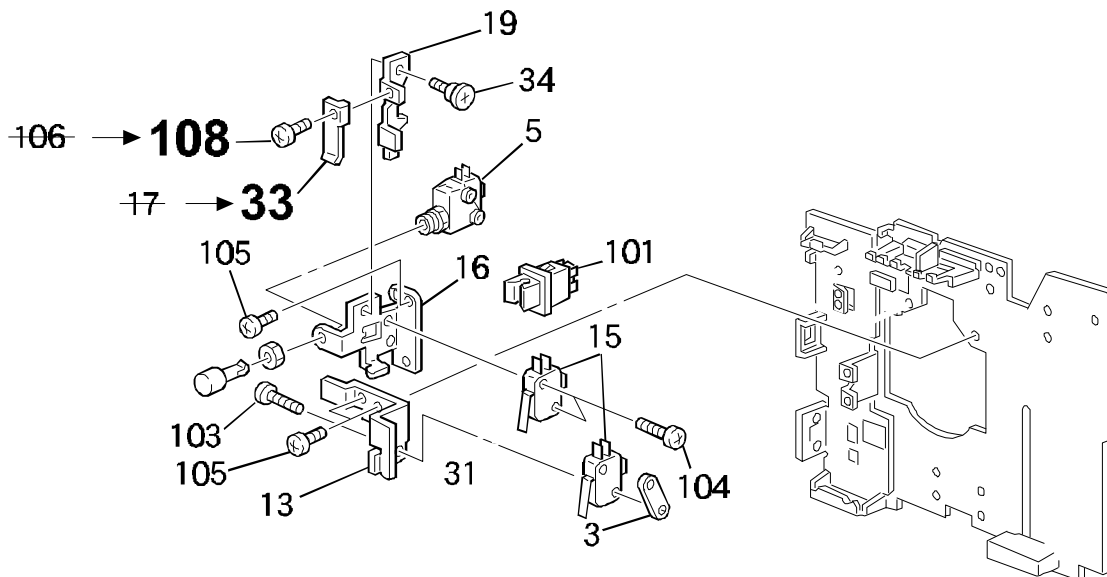
No: 01


3. DRAWING CORRECTION 2

33. ELECTRICAL SECTION (C226), PAGE 72

Correct index numbers 106 and 17 as shown below:

- 106 → 108
- 17 → 33




Model: PRIPORT GOLD		Date: 15-Sep-97	No: 2
Modified Article: Thermal Head		Prepared by: 	
From: Priport Service Planning Section		H. Kokubo	
Classification: <input type="checkbox"/> Parts catalog correction <input checked="" type="checkbox"/> Vendor change <input type="checkbox"/> To meet standards <input type="checkbox"/> To facilitate assembly <input type="checkbox"/> To improve reliability () <input type="checkbox"/> Part standardization <input type="checkbox"/> Other ()			
Model Name: Ricoh VT2250/VT2240, Gestetner 5329(L), RexRotary 1254(L), Nashuatec CP329(L), ABDICK 6560, SVN 3250DNP			

Due to a vendor change, the thermal head has been changed as follows:

Old #	New #	Description	Int	Page	Index
C224 8031	C222 8038	Thermal Head - B4	O/O	53	1

NOTE: The thermal head type #C2228038 has commonly been used for the RN925. Therefore, due to this modification, the thermal head for the RN925, Gold, and N850 has been unified into the #C2228038 type only.

Model: PRIPORT GOLD		Date: 15-Jun-99	No: MC226003
Modified Article: Upper and Lower Master Eject Belts		Prepared by: 	
From: Priport Service Planning Section		H. Kokubo	
Classification: <input type="checkbox"/> Parts catalog correction <input type="checkbox"/> Vendor change <input type="checkbox"/> To meet standards <input type="checkbox"/> To facilitate assembly <input checked="" type="checkbox"/> To improve reliability () <input type="checkbox"/> Part standardization <input type="checkbox"/> Other ()			
Model Name: Ricoh VT2250/VT2240, Gestetner 5329(L), RexRotary 1254(L), nashuatec CP329(L), ABDICK 6560, SVN 3250DNP			

The upper and lower master eject belts have been changed as follows. The new parts have more tolerance against stretching when used over a long period of time.

Old #	New #	Description	Qty	Int	Page	Index
C219 3605	C219 3611	Upper Belt	4 → 4	X/O	61	28
C219 3606	C219 3612	Lower Belt	4 → 4	X/O	61	29

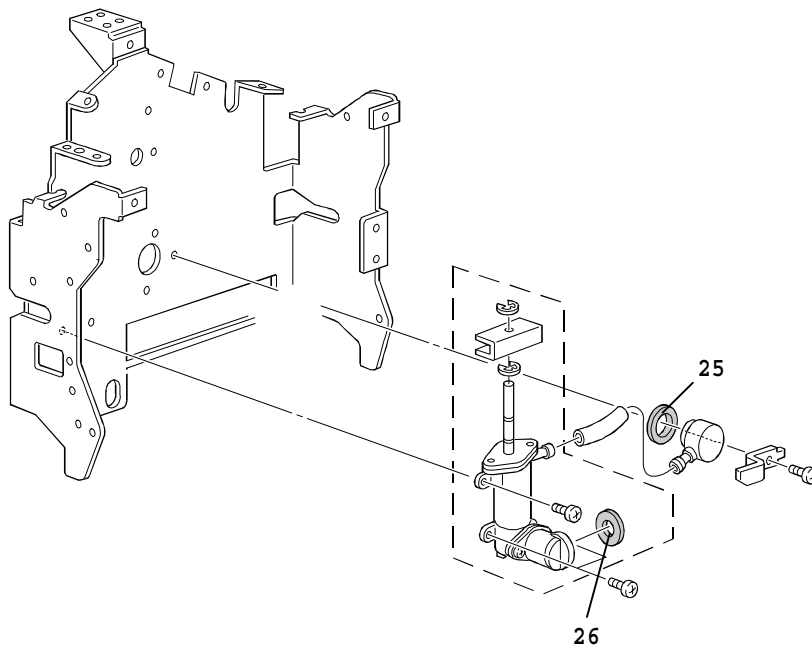
Model: PRIPORT GOLD	Date: 15-Jun-99	No: MC226003
----------------------------	------------------------	---------------------

CUT IN SERIAL NUMBERS

Model Name	V/Hz	Destination	Code	Serial Number
Ges 5329L, Rex 1254L, Nsa CP329L	120/60	USA, Canada	C226-12	AF2 9040001
Ges 5329L, Rex 1254L, Nsa CP329L	120/60	Taiwan	C226-13	AF5 9040001
Savin 3250DNP	120/60	USA, Canada	C226-15	S346 9040001
Ricoh VT2250	120/60	USA, Canada	C226-17	C346 9040001
ABDICK 6560	120/60	USA	C226-18	A346 9040001
Ricoh VT2250	120/60	Taiwan	C226-19	C346 9040001
Ges 5329L, Rex 1254L, Nsa CP329L	230/50	Europe	C226-22	AF3 9040001
Ges 5329L, Rex 1254L, Nsa CP329L	230/50	Asia, etc.	C226-23	AF4 9040001
Ricoh VT2240 (A4 Drum)	230/50	Europe	C226-24	C346 9040001
Ges 5329, Rex 1254, Nsa CP329 (A4 Drum)	230/50	Europe	C226-25	A12 9040001
Ricoh VT2250	230/50	Europe	C226-27	C346 9040001
Ricoh VT2250	230/50	Asia, etc.	C226-29	C346 9040001
Ges 5329L, Rex 1254L, Nsa CP329L	230/50	USA, Canada	C226-62	AF2 9070001
Ges 5329L, Rex 1254L, Nsa CP329L	120/60	Taiwan	C226-63	AF5 9070001
Savin 3250DNP	120/60	USA, Canada	C226-65	S346 9070001
Ricoh VT2250	120/60	USA, Canada	C226-67	C346 9070001
Ricoh VT2250	120/60	Taiwan	C226-69	C346 9070001
Ges 5329L, Rex 1254L, Nsa CP329L	230/50	Europe	C226-72	AF3 9070001
Ges 5329L, Rex 1254L, Nsa CP329L	230/50	Asia, etc.	C226-73	AF4 9070001
Ricoh VT2240 (A4 Drum)	230/50	Europe	C226-74	C346 9070001
Ges 5329, Rex 1254, Nsa CP329 (A4 Drum)	230/50	Europe	C226-75	A12 9070001
Ricoh VT2250	230/50	Europe	C226-77	C346 9070001
Ges 5329L, Rex 1254L, Nsa CP329L	230/50	China	C226-78	AF4 9070001
Ricoh VT2250	230/50	Asia, etc.	C226-79	C346 9070001
Ricoh VT2250	230/50	China	C226-96	C346 9070001

Model: PRIPORT GOLD	Date: 16-Jul-01	No: M-C226-004
Modified Article: Parts catalog correction	Prepared by:	
From: Priport Service Planning Section	A. Yoshida	
Classification:	<input checked="" type="checkbox"/> Parts catalog correction <input type="checkbox"/> Vendor change <input type="checkbox"/> To meet standards <input type="checkbox"/> To facilitate assembly <input type="checkbox"/> To improve reliability () <input type="checkbox"/> Part standardization <input type="checkbox"/> Other ()	
Model Name: Ricoh VT2250/VT2240, Gestetner 5329(L), RexRotary 1254(L), nashuatec CP329(L), ABDICK 6560, Savin 3250DNP		

Please correct your parts catalog as follows.



Changed Description and Part Number

Incorrect Part Number	Correct Part Number	Description	Qty	Int	Page	Index
C2004826	08080021	Rubber Ring	1	-	45	25
C2004827	C2004826	Pump Rubber	1	-	45	26

Reissued: 2-March-04

MB Correction

The items in bold italics have been corrected or added.

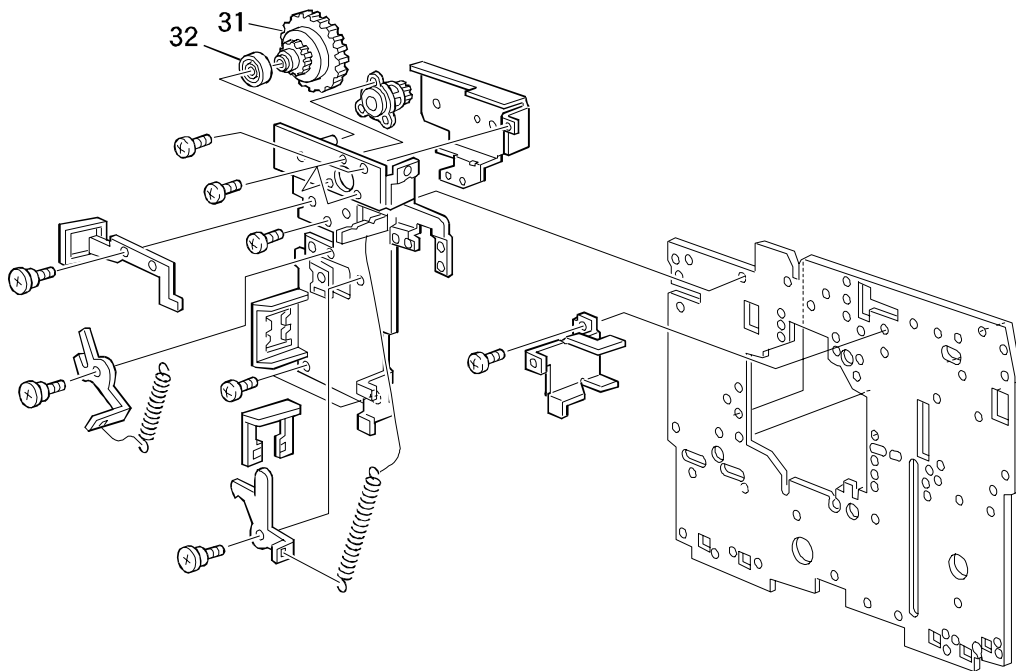
Model: PRIPORT GOLD		Date: 15-Mar-04	No: M-C226-005a
Modified Article: Parts number change for oil damper gear		Prepared by:	
From: Priport Service Planning Section		K. Yamamoto	
Classification: <input type="checkbox"/> Parts catalog correction <input type="checkbox"/> Vendor change <input type="checkbox"/> To meet standards <input type="checkbox"/> To facilitate assembly <input checked="" type="checkbox"/> To improve reliability () <input type="checkbox"/> Part standardization <input type="checkbox"/> Other ()			
Model Name: Ricoh VT2250/VT2240, Gestetner 5329(L), RexRotary 1254(L), nashuatec CP329(L), ABDICK 6560, Savin 3250DNP			

Note: This MB applies to the Gold **only**.

The width of the oil damper gear (scanner) has been increased by 2 mm to reduce the load on the gear wheel and ensure the gear is not damaged.

Old part number	New part number	Description	Q'ty	Int	Page	Index
H5213117	H3073117	Gear – oil damper	1	X/O as a set	77	31
	H5223118	Collar – oil damper	1		77	32
H5213118	H3073117	Gear – oil damper	1	X/O as a set	77	31
	H5223118	Collar – oil damper	1		77	32

Note: Replace the oil damper gear and collar **together as a set**



Reissued: 2-March-04

Model: PRIPORT GOLD	Date: 15-Mar-04	No: M-C226-005a
----------------------------	------------------------	------------------------

CUT IN SERIAL NUMBERS

Model Name	V/Hz	Destination	Code	Serial Number
Ges 5329L, Rex 1254L, Nsa CP329L	120/60	USA, Canada	C226-12	AF20020001 (Discontinued in September 2001)
Ges 5329L, Rex 1254L, Nsa CP329L	120/60	Taiwan	C226-13	From October 1998 production (Discontinued in January 1997)
Savin 3250DNP	120/60	USA, Canada	C226-15	From October 1998 production (Discontinued in September 1997)
Ricoh VT2250	120/60	USA, Canada	C226-17	C3460030001 (Discontinued in November 2000)
ABDICK 6560	120/60	USA	C226-18	From October 1998 production (Discontinued in April 1997)
Ricoh VT2250	120/60	Taiwan	C226-19	From October 1998 production (Discontinued in July 1997)
Ges 5329L, Rex 1254L, Nsa CP329L	230/50	Europe	C226-22	From October 1998 production (Discontinued in January 1998)
Ges 5329L, Rex 1254L, Nsa CP329L	230/50	Asia, etc.	C226-23	AF448110001 (Discontinued in November 2000)
Ricoh VT2240 (A4 Drum)	230/50	Europe	C226-24	From October 1998 production (Discontinued in March 1997)
Ges 5329, Rex 1254, Nsa CP329 (A4 Drum)	230/50	Europe	C226-25	From October 1998 production (Discontinued in March 1997)
Ricoh VT2250	230/50	Europe	C226-27	C3460030016 (Discontinued in June 2000)
Ricoh VT2250	230/50	Asia, etc.	C226-29	C3469010001 (Discontinued in November)
Ges 5329L, Rex 1254L, Nsa CP329L	230/50	USA, Canada	C226-62	From October 1998 production (Discontinued in January 2000)
Ges 5329L, Rex 1254L, Nsa CP329L	120/60	Taiwan	C226-63	From October 1998 production (Discontinued in April 1998)
Savin 3250DNP	120/60	USA, Canada	C226-65	From October 1998 production (Discontinued in February 1998)
Ricoh VT2250	120/60	USA, Canada	C226-67	From October 1998 production (Discontinued in January 2000)
Ricoh VT2250	120/60	Taiwan	C226-69	From October 1998 production (Discontinued in January 2000)
Ges 5329L, Rex 1254L, Nsa CP329L	230/50	Europe	C226-72	From October 1998 production (Discontinued in July 1998)
Ges 5329L, Rex 1254L, Nsa CP329L	230/50	Asia, etc.	C226-73	From October 1998 production (Discontinued in January 2000)
Ricoh VT2240 (A4 Drum)	230/50	Europe	C226-74	From October 1998 production (Discontinued in January 2000)
Ges 5329, Rex 1254, Nsa CP329 (A4 Drum)	230/50	Europe	C226-75	From October 1998 production (Discontinued in March 1998)
Ricoh VT2250	230/50	Europe	C226-77	From October 1998 production (Discontinued in January 2000)
Ges 5329L, Rex 1254L, Nsa CP329L	230/50	China	C226-78	From October 1998 production (Discontinued in January 2000)
Ricoh VT2250	230/50	Asia, etc.	C226-79	From October 1998 production (Discontinued in January 2000)
Ricoh VT2250	230/50	China	C226-96	From October 1998 production (Discontinued)